

JW Hospital Equipment

# STEAM STERILIZER

**(AUTO CLAVE)**

- ◆ CHS-AC 250
- ◆ CHS-AC 80
- ◆ CHS-ACCE 860

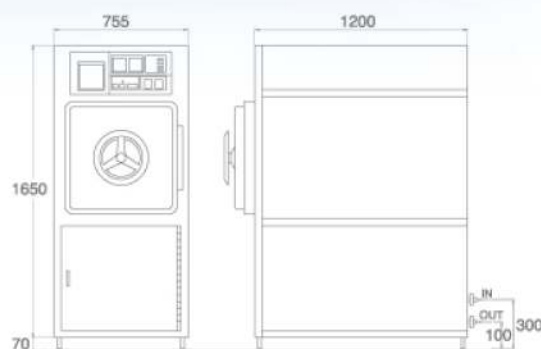


**jw** Group

# SQUARE TYPE CHS-AC 250



## DIMENSIONS



## SPECIFICATIONS

Overall Size	: (W)755 × (H)1650 × (D)1200
Chamber Size	: (W)500 × (H)500 × (D)1000
Chamber Type	: Square
Chamber Capacity	: 250 l
Sterilizer Temp	: 121°C (1.0Kg/cm <sup>2</sup> ) / 132°C (2.0Kg/cm <sup>2</sup> )
Vacuum Pump	: AC 220V/AC 380V, 3-phase, 2HP
Weight	: 820Kg
Operating temperature	
Humidity	: 10-42°C / 10-95%

## POWER SUPPLY

- 1) Built-in Steam Generator  
AC 200V/AC 380V, 3-phase → 15KW
- 2) Central Steam Supply  
AC 200V/AC 380V, 3-phase → 2.0KW

## FEATURES

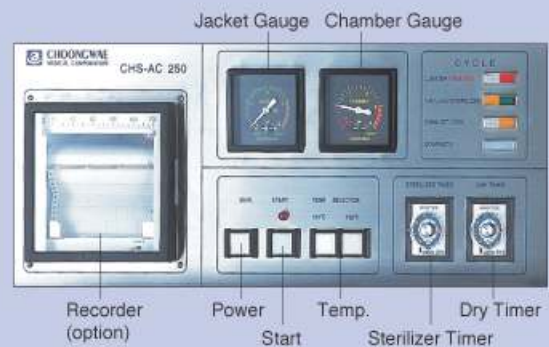
### ◆SAFETY DOOR

The door shall be fabricated from type 304L stainless steel plate. The manual door is operated by a single rotation low-heat conducting handwheel, with the radial locking bar design. Internal pressure actuated locking mechanism permits tightening, but not loosening of the door. Safety lock releases when chamber pressure is reduced to 0.2kg/cm<sup>2</sup>. The operation of the unit cannot be initiated unless the door is closed and locked.



### ◆FULLY AUTOMATIC CONTROL

The pre-programmed automatic control functions by means of a motor operated selector valve actuated through a control device which is highly responsive to chamber conditions of temperature, time and pressure.



### ◆PRE VACUUM

The sterilizer shall be the pre-vacuum type heated by steam from the building supply line for sterilizing heat and moisture stable materials by the mechanical air removal method using saturated steam as the sterilizing agent. Liquids can be sterilized by the gravity air removal method.

### ◆STEAM GENERATOR

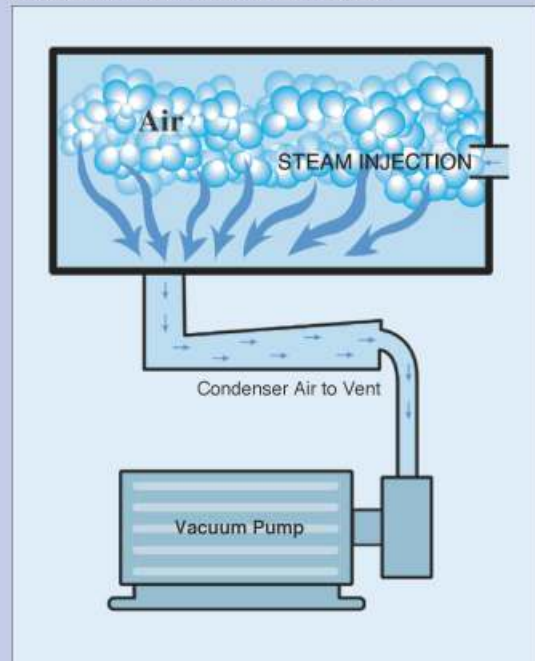
The steam supply may be provided by connection to a central supply or by a built-in electrically heated steam generator. The built-in steam generator eliminates the quality variations which may occur in a central steam supply and means that the autoclave only has to be connected to a cold-water supply and electric mains.

### ◆AUTOMATIC WATER SUPPLY SYSTEM

### ◆SAFETY

The sterilizer is designed and produced according to the IEC-601-1988 safety of medical electrical equipment.

### MODERN HOSPITAL STERILIZER

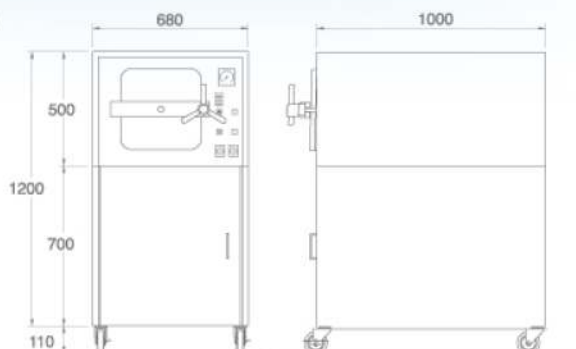




# SQUARE TYPE CHS-AC 80



## DIMENSIONS



## SPECIFICATIONS

Overall Size	: (W)680 × (H)1200 × (D)1000
Chamber Size	: (W)320 × (H)320 × (D)800
Chamber Type	: Square
Chamber Capacity	: 82 ℓ
Sterilizer Temp	: 121°C(1.0Kg/cm <sup>2</sup> ) 132°C(2.0Kg/cm <sup>2</sup> )
Vacuum Pump	: AC 220V, 1-phase, 1HP
Power Supply	: AC220V, 1-phase, 5.0KW
Weight	: 150Kg
Operating temperature	
Humidity	: 10-42°C / 10-95%

## FEATURES

### ◆ FULLY AUTOMATIC CONTROL

The pre-programmed automatic control functions by means of a motor operated selector valve actuated through a control device which is highly responsive to chamber conditions of temperature, time and pressure.



### ◆ PRE VACUUM

The sterilizer shall be the pre-vacuum type heated by steam from the building supply line for sterilizing heat and moisture stable materials by the mechanical air removal method using saturated steam as the sterilizing agent. Liquids can be sterilized by the gravity air removal method.



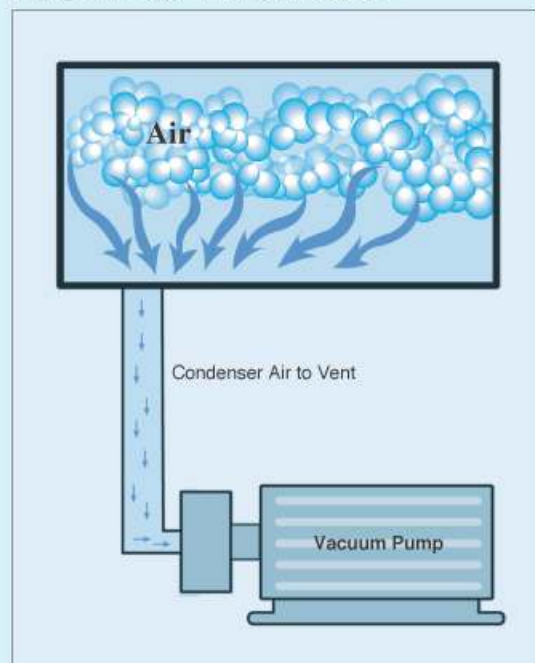
### ◆ STEAM GENERATOR

The steam supply may be provided by connection to a central supply or by a built-in electrically heated steam generator. The built-in steam generator eliminates the quality variations which may occur in a central steam supply and means that the autoclave only has to be connected to a cold-water supply and electric mains.

### ◆ SAFETY

The sterilizer is designed and produced according to the IEC-601-1988 safety of medical electrical equipment.

MODERN HOSPITAL STERILIZER

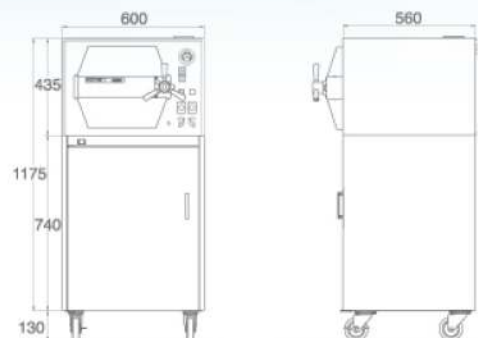


# CHS-ACCE 860



Cabinet(Optional)

## DIMENSIONS



## SPECIFICATIONS

Dimension	mm	W600×H1175×D560
Chamber Size	mm	ø320×L500(40 ℓ)
Sterilizer Temp	℃	121(1Kg/cm <sup>2</sup> ), 132(2Kg/cm <sup>2</sup> )
Sterilizer Timer	Min	30Min/60Hz, 35Min/50Hz
Drying Timer	Min	30Min/60Hz, 35Min/50Hz
Heater	Kw	2.2Kw 1ea(Inconel)
Power Source	V	AC220V
Consumption	Kw	2.4Kw
Caster	mm	270×4pcs
Ultraviolet Lamp	W	15W×1EA.Option
Water Reservoir Capacity	ℓ	6 ℓ
Operating temperature		
Humidity	°C/%	10-42°C / 10-95%



# AUTOCLAVE

## INNOVATION OF STERILIZING & DRYING

### FEATURES

- ◆ Entire processing of sterilization can be easily observed by pilot lamps which is automatically operated by electroautomatic control system.
- ◆ Front panel and door surface are covered with stainless steel STS 304 for rust proofing.
- ◆ Auto-timers for sterilization and drying can be controlled freely in accordance with sterilization conditions.
- ◆ Temperature switch can be selected freely in accordance with sterilization conditions.
- ◆ The structure of chamber is designed in compliance with K.S.(Korea Standard) regulation of High-Pressure containers.
- ◆ When the water of chamber goes below the fixed level, the built-in thermostat switch automatically puts off the power and audible alarm also sounds to warn.
- ◆ Silicon rubber mounted on the door inside is specially designed for keeping the high-pressure.
- ◆ All of our products go through 4 different quality inspections before they are released. However, we make it a rule to dispatch our well-trained after-sale-technical service engineers within 24 hours from receipt of repair calls.
- ◆ **Cabinet(Optional)**  
In case of need, it will be attached cabinet which is convenient for keeping sterilized materials. Ultra-Violet Lamp is installed inside cabinet so as to prevent sterilized materials from air-contamination.



### CYCLE PROGRESSION CHART

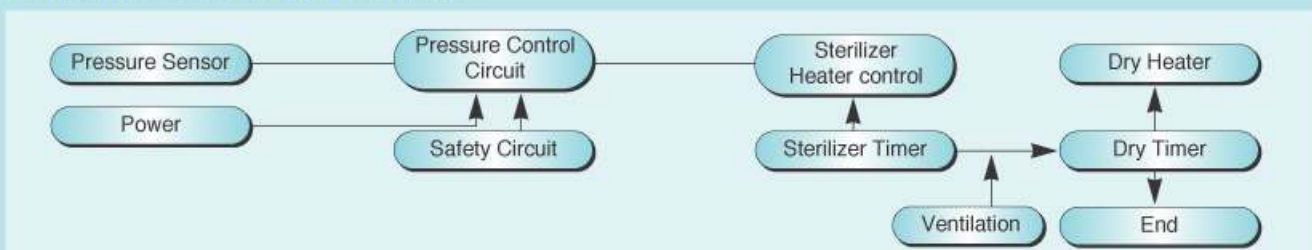
Program I (Low)



Program II (High)



### CIRCUIT BLOCK DIAGRAM

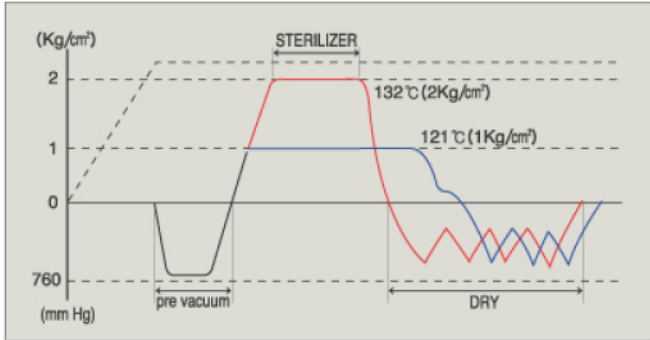


### EXAMPLES OF USE

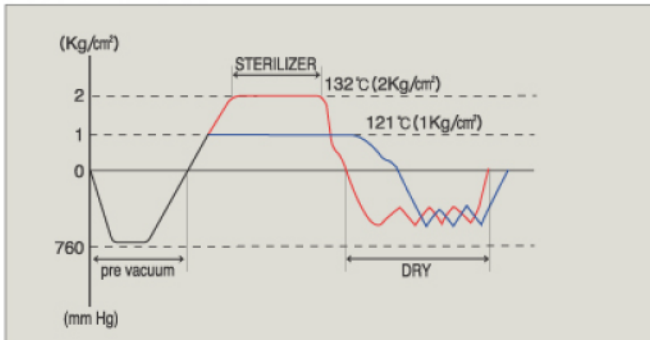
Item	Temperature (°C)	Pressure (kg/cm <sup>2</sup> )	Sterilizing Time (Min)	Drying Time (Min)
Instruments	121	1	20	10
Cotton/Rubber	121	1	7	10
Wrapped Instruments	132	2	15	10
			7	5

## Cycle Progression Chart

Model:CHS-AC 250



Model:CHS-AC 80



## Accessories



**Temp. Recorder(Model:AC250) : Option**

(It is accessory applied to the Model:AC250)

## Building Facility

Division Model	Steam		Water		Drain Pipe Dia	Electricity	
	Pipe Dia	Consumption (Kg/Hr)	Pipe Dia	Consumption (ℓ /min)		External Steam Supply	Electric
CHS-ACCE860	-	-	-	-	-	-	AC 220V, 50/60Hz 1-phase, 2.5KW
CHS-AC80	-	-	-	-	1/2"	-	AC 220V, 50/60Hz 1-phase, 5.0KW
CHS-AC250	1/2"	40	1/2"	5	2"	AC 220V/AC 380V, 50/60Hz 3-phase, 2.0KW	AC 220V/AC 380V, 50/60Hz 3-phase, 15KW

The specifications are subject to change without prior notice for improvement



### HEAD OFFICE

JW Tower, 2477 Nambusunhwan-ro,  
Seocho-gu, Seoul, Korea  
Tel +82-2-2109-7800 \* Fax +82-2-852-0565  
E-mail: export@jw-holdings.co.kr  
www.jw-bioscience.co.kr